

FISHER AVENUE STREETScape
100% CONCEPT PLAN

AUGUST 2018

PREPARED BY:



ARRO CONSULTING, INC.
1101 OPAL COURT, SUITE 312
HAGERSTOWN, MD 21740
301-791-1100

PROPOSED ARCHITECTURAL GATEWAY STRUCTURE



TO SARAH E. AUER WESTERN COUNTY OUTDOOR POOL

BICYCLE WAYFINDING SIGN
END MARKED BIKE LANE

4' WIDE DEDICATED BIKE LANE ON WESTBOUND LANE
FURTHER DISTINCTION PROVIDED VIA COLORED PAVEMENT

RESTORE EXISTING RETAINING WALL

REHABILITATION OF STORWATER FACILITY WITH INCLUSION OF ATTRACTIVE LOW MAINTENANCE PLANTINGS

REHABILITATE SIDEWALK, CURB AND GUTTER TO BE CONTINUOUS
MATERIALS TO BE IN-KIND WITH REST OF STREET

CONTINUED ON NEXT SHEET

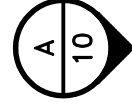
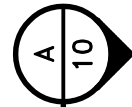
SHORES DRIVE

COBB AVENUE

ST. PETER'S PARISH

PARKING

PARKING

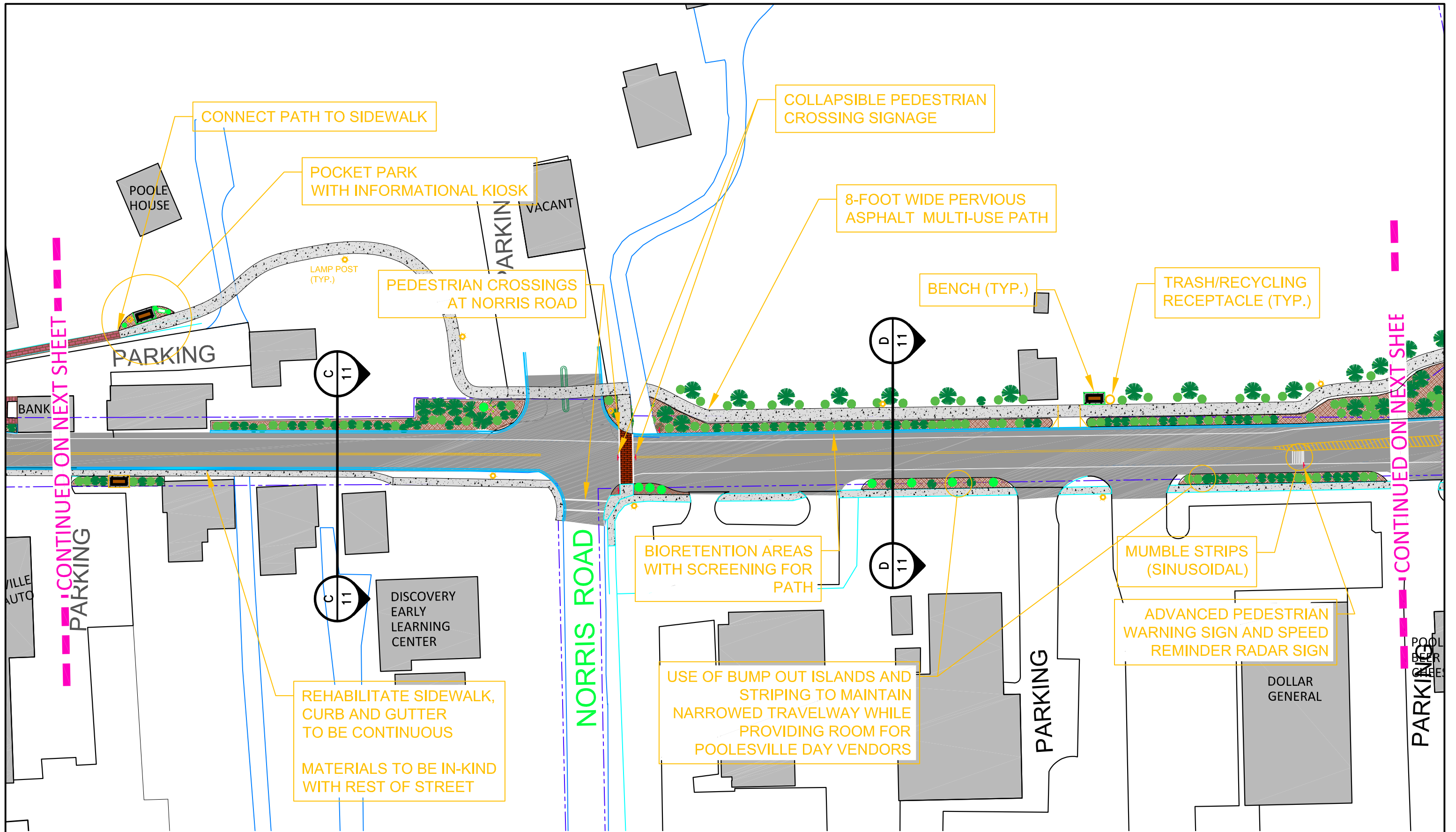


STREET LIGHT (TYP.)

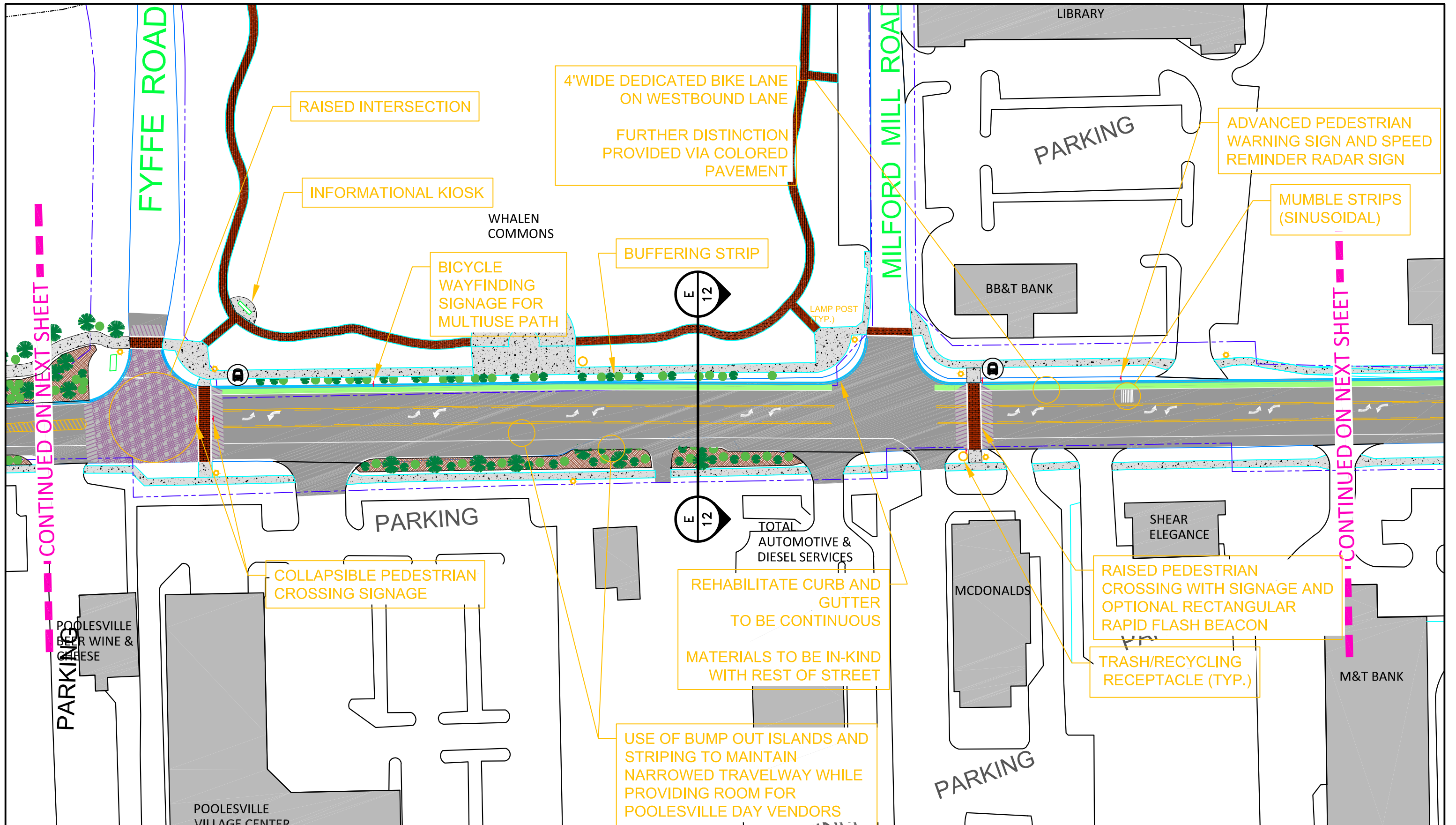
LEGEND

- | | | | |
|--|---|--|--------------------------------------|
| | EXISTING CURB | | PROPOSED CURB AND GUTTER |
| | EXISTING PAVEMENT | | PROPOSED PAVEMENT |
| | EXISTING BUILDING | | PROPOSED STAMPED CONCRETE OR SIMILAR |
| | EXISTING SIDEWALK | | PROPOSED CONCRETE |
| | EXISTING RIGHT OF WAY | | PROPOSED STREET LIGHT |
| | EXISTING SIDEWALK TO REMAIN | | PROPOSED TRASH RECEPTACLE |
| | PROPOSED RAISED INTERSECTION | | PROPOSED BENCH |
| | PROPOSED TRANSITION TO RAISED CROSSWALK OR INTERSECTION | | PROPOSED LANDSCAPING |
| | | | PROPOSED SIGN |

SHEET NO. 2 OF 13



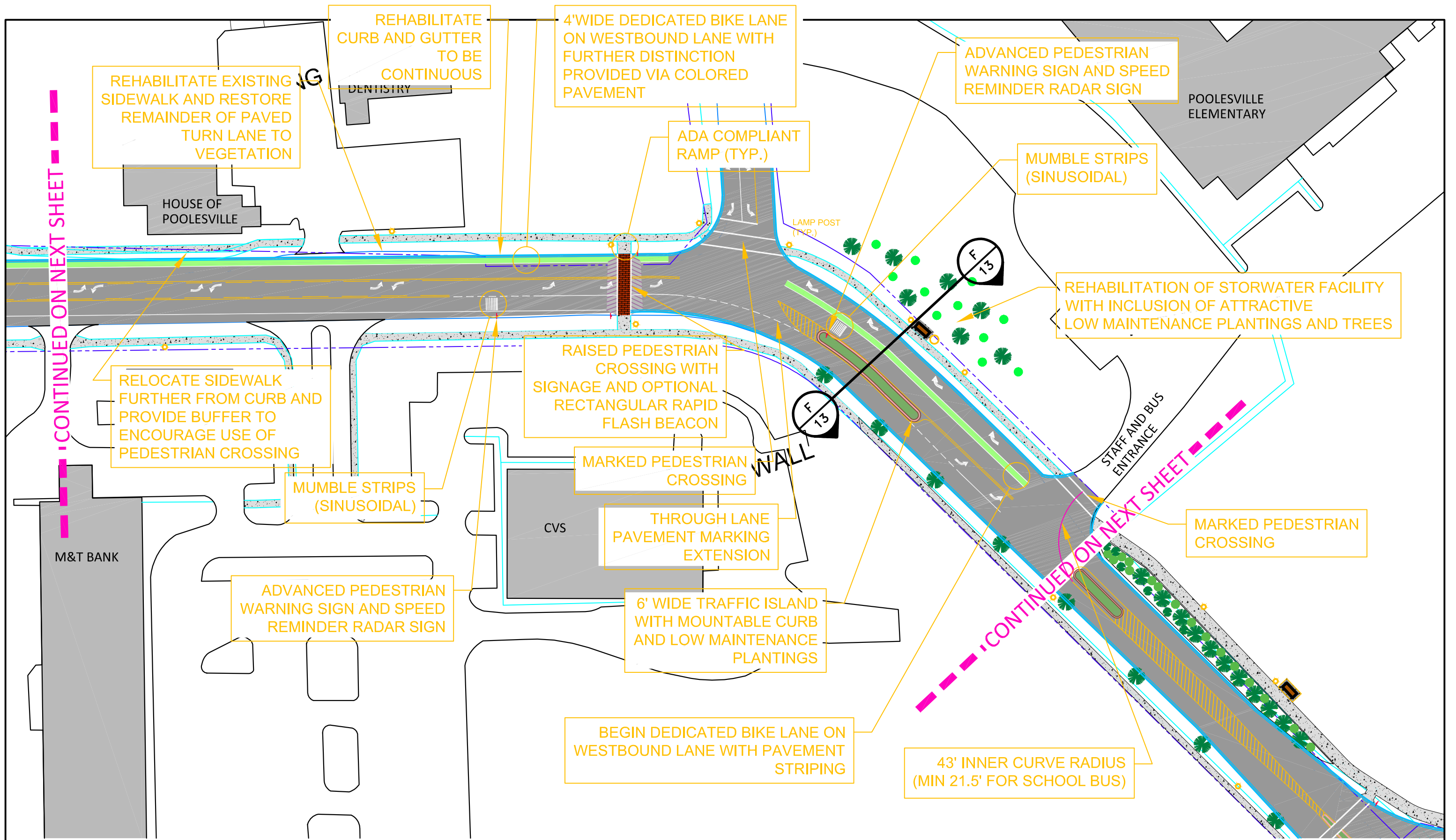
SHEET NO. 4 OF 13



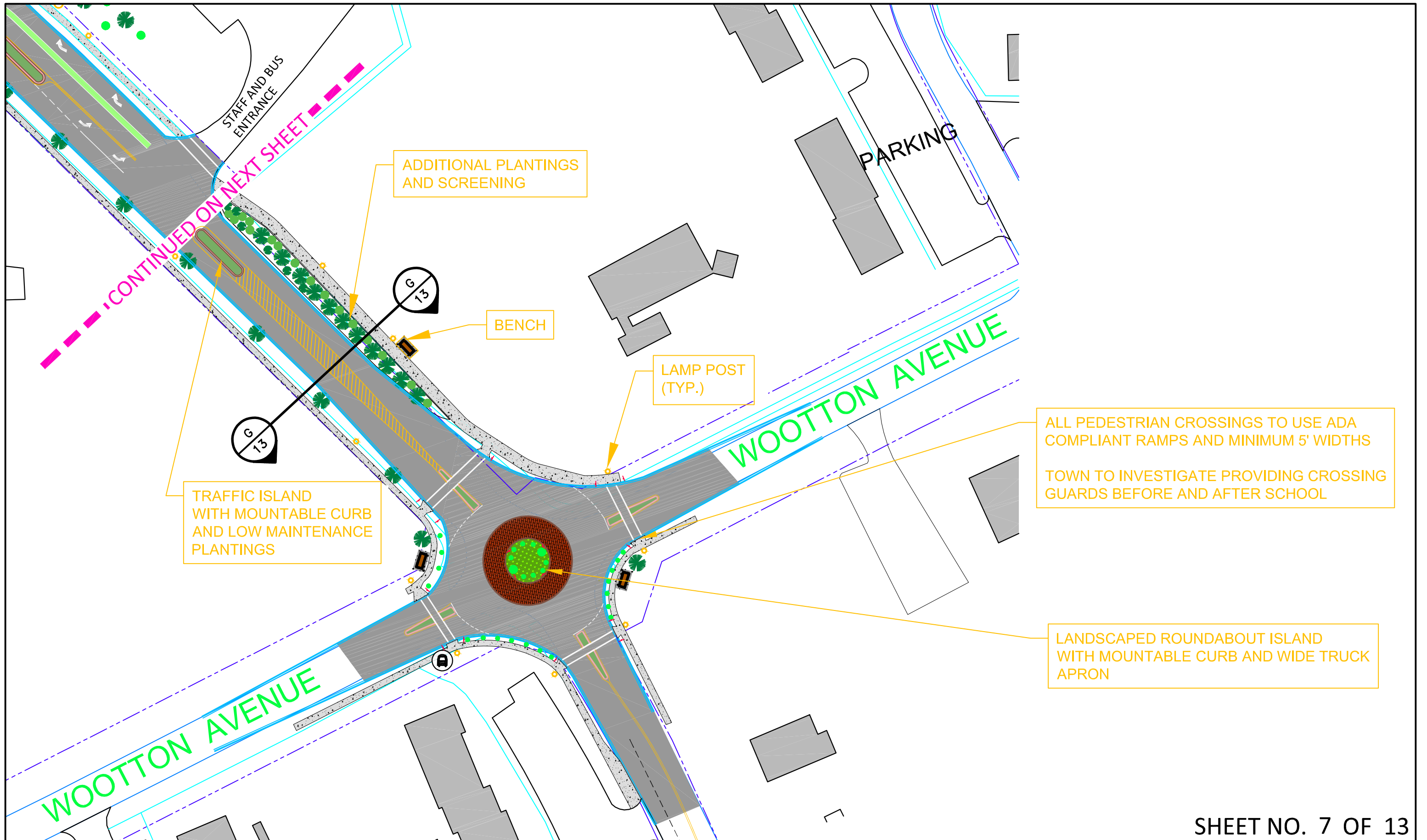
CONTINUED ON NEXT SHEET

CONTINUED ON NEXT SHEET

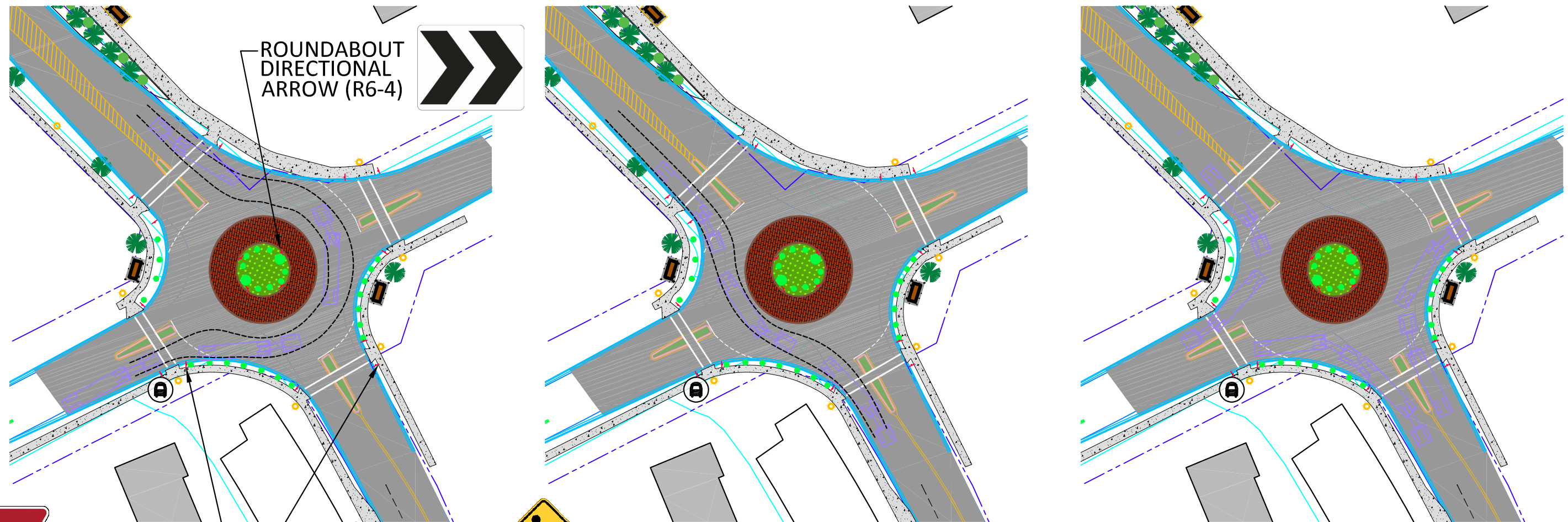
SHEET NO. 5 OF 13



SHEET NO. 6 OF 13



SHEET NO. 7 OF 13



ROUNDBOUT DIRECTIONAL ARROW (R6-4)



WB40 AUTO TURN AND SAMPLE SIGNAGE EXHIBIT
SCALE: 1" = 60'



YIELD (R1-2)

PEDESTRIAN CROSSING (W11-2)



ROUNDBOUT CIRCULATION (R-5P)

DOWNWARD DIAGONAL ARROW (W16-7P)



LOW LYING VEGETATION

BORDER GRASS

SIDEWALK

TRAVEL LANE

15' TRUCK APRON

30' CENTER ISLAND

15' TRUCK APRON

TRAVEL LANE

13' WHEEL BASE

SIDEWALK

MOUNTABLE CURB

SPLITTER ISLAND SECTION VIEW
SCALE: NOT TO SCALE

MOUNTABLE CURB

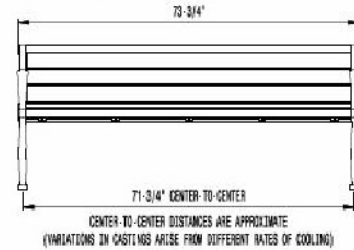
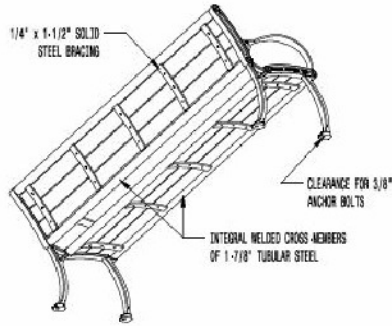
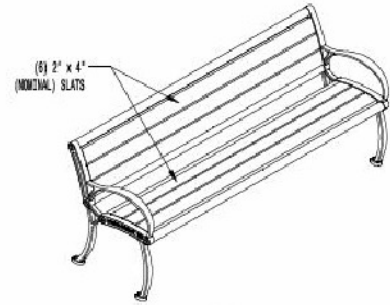
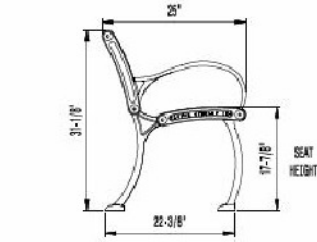
ROUNDBOUT ISLAND SECTION VIEW
SCALE: NOT TO SCALE

DIRECTIONAL ARROW R6-4

SHEET NO. 8 OF 13

* ALL DIMENSIONS ARE IN INCHES *

THIS PRODUCT IS COVERED BY ONE OR MORE OF THE FOLLOWING
U.S. PATENTS 0520,283 S; 0526,406 S; 0540,889 S;
CANADIAN 0110955; 110854;
EC REG. DES. NO. 00203291-0001



STANDARD BENCH WITH DUCTILE IRON END FRAMES
SHOWN: STANDARD 6-FOOT LENGTH
AVAILABLE OPTIONS:
POWDER COATING
10 STANDARD COLORS, 2 OPTIONAL METALLIC COLORS, CUSTOM COLORS (INCLUDING THE RAL RANGE)
SLAT TYPES
RECYCLED PLASTIC SLATS (NOT 2ND SITE SYSTEMS)
COLORS: GRAY, MAPLE, CHERRY, AND WALNUT
SEE FRAMES MODERN SERIES FOR ALTERNATIVE SLAT OPTIONS

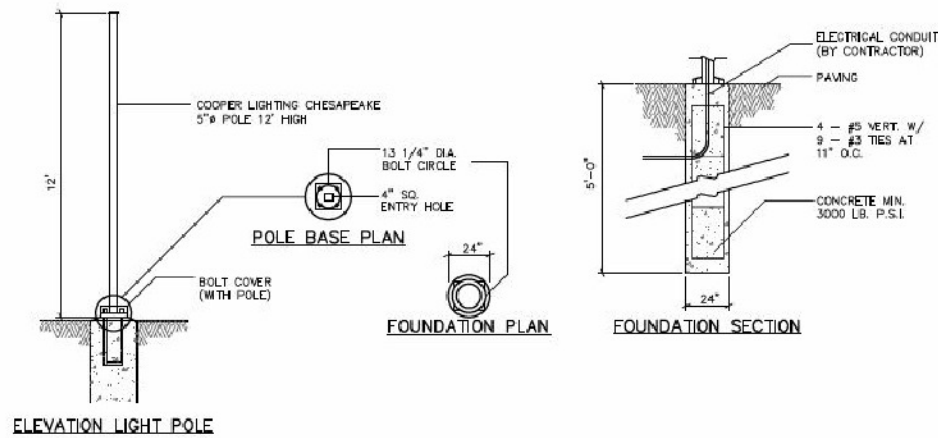
INTERMEDIATE & CENTER ARMRESTS
4', 6', & 8' AVAILABLE WITH OPTIONAL ARMRESTS
LENGTHS
STANDARD 4'
STANDARD 6' LENGTH SHOWN
STANDARD 8'



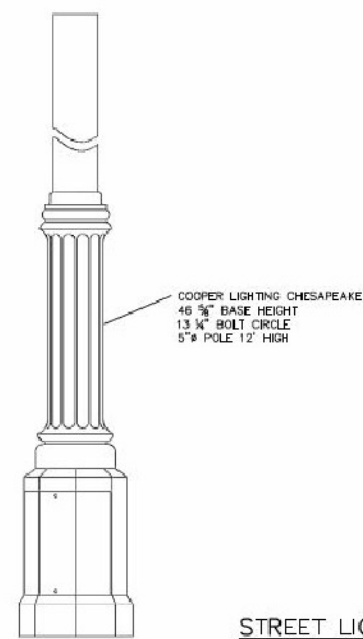
NOTES:

1. DRAWINGS NOT TO SCALE, DO NOT SCALE DRAWINGS.
2. ALL FABRICATED METAL COMPONENTS ARE STEEL, SHOTBLASTED, ETCHED, PHOSPHATIZED, PREHEATED, AND ELECTROSTATICALLY POWDER-COATED WITH T.G.I.C. POLYESTER POWDER COATINGS. PRODUCTS ARE FULLY CLEANED AND PRETREATED, PREHEATED AND COATED WHILE HOT TO FILL CREVICES AND BUILD COATING FILM. COATED PARTS ARE THEN FULLY CURED TO COATING MANUFACTURER'S SPECIFICATIONS. THE THICKNESS OF THE RESULTING FINISH AVERAGES 8-10 MILS (200-250 MICRONS).
3. IT IS NOT RECOMMENDED TO LOCATE ANCHOR BOLTS UNTIL BENCH IS IN PLACE. THIS IS VICTOR STANLEY, INC. PRODUCT MUST BE PERMANENTLY AFFIXED TO THE GROUND. CONSULT YOUR LOCAL CODES FOR REGULATIONS.
4. ANCHOR BOLTS NOT PROVIDED BY VICTOR STANLEY, INC.
5. FOR HIGH SALT ABUSIVE CLIMATES, HOT DIP GALVANIZING BEFORE POWDER COATING IS AVAILABLE. SEE WRITTEN SPECIFICATIONS FOR DETAILS.
6. ALL SPECIFICATIONS ARE SUBJECT TO CHANGE. CONTACT MANUFACTURER FOR DETAILS.
7. THIS PRODUCT IS SHIPPED PARTIALLY UNASSEMBLED.

COPYRIGHT 2011 VICTOR STANLEY, INC. ALL RIGHTS RESERVED
REV. 5/3/11 DRAWN R, G.O., 2011-325

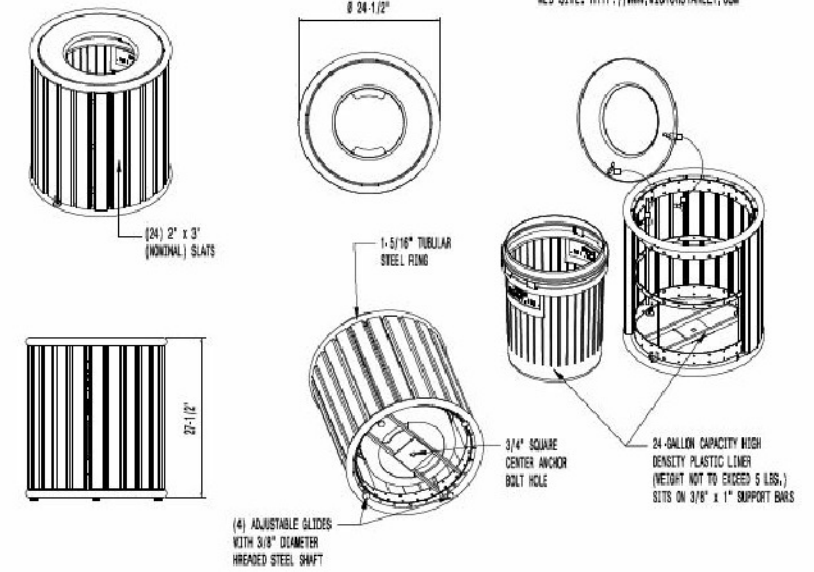


ELEVATION LIGHT POLE



STREET LIGHT DETAILS
NOT TO SCALE

COOPER LIGHTING STREETWORKS MANCHESTER-ANG
100W. METAL HALIDE
CLASSICAL BAND CAGE WITH MODERN FINIAL
CONFIGURATION



LIDS
SHOWN WITH STANDARD TAPERED FORMED LID. AVAILABLE WITH OPTIONAL DOME LID, OPTIONAL DOME LID WITH STAINLESS STEEL ASHTRAY, CONVEX LID, CONVEX LID WITH SELF-CLOSING DOOR, RAIN BONNET LID, AND RAINBONNET LID WITH STAINLESS STEEL ASHTRAY.
SECURITY
LID IS SECURED WITH VINYL-COATED GALVANIZED STEEL AIRCRAFT CABLE. CABLE IS LOOPED AROUND WELDED-IN PLACE ATTACHMENT BRACKETS AND CRIMPED IN PLACE.

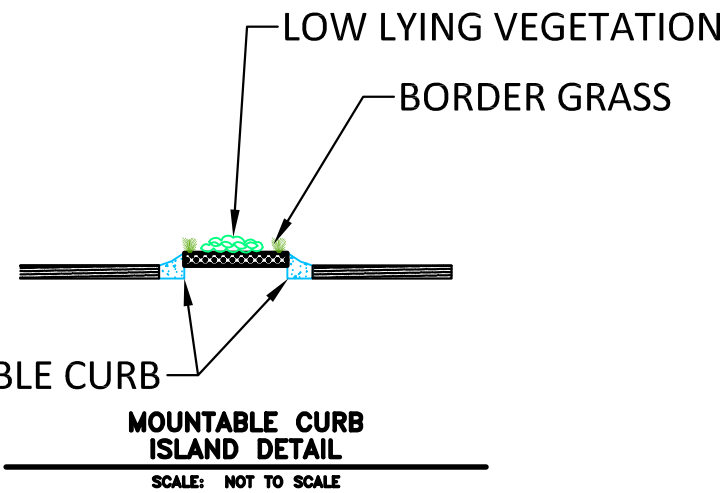
24-GALLON LITTER RECEPTACLE
SHOWN: STANDARD TAPERED FORMED LID
AVAILABLE OPTIONS:
POWDER COATING
11 STANDARD COLORS, CUSTOM COLORS (INCLUDING THE RAL RANGE)
SLAT TYPES
RECYCLED PLASTIC SLATS (NOT 2ND SITE SYSTEMS)
COLORS: GRAY, MAPLE, CHERRY, AND WALNUT
SEE STREETCITIES SERIES[®] FOR ALTERNATIVE OPTIONS

NOTES:

1. DRAWINGS NOT TO SCALE. DO NOT SCALE DRAWINGS.
2. ALL FABRICATED METAL COMPONENTS ARE STEEL, SHOTBLASTED, ETCHED, PHOSPHATIZED, PREHEATED, AND ELECTROSTATICALLY POWDER-COATED WITH T.G.I.C. POLYESTER POWDER COATINGS. PRODUCTS ARE FULLY CLEANED AND PRETREATED, PREHEATED AND COATED WHILE HOT TO FILL CREVICES AND BUILD COATING FILM. COATED PARTS ARE THEN FULLY CURED TO COATING MANUFACTURER'S SPECIFICATIONS. THE THICKNESS OF THE RESULTING FINISH AVERAGES 8-10 MILS (200-250 MICRONS).
3. THIS VICTOR STANLEY, INC. PRODUCT MUST BE PERMANENTLY AFFIXED TO THE GROUND. CONSULT YOUR LOCAL CODES FOR REGULATIONS.
4. VICTOR STANLEY, INC., PLASTIC INNER LINERS ARE WELDED ON TOOLING DESIGNED FOR AND OWNED BY VICTOR STANLEY, INC. THEY OFFER MAXIMUM CAPACITY AND STRENGTH WITH LIGHTWEIGHT CONSTRUCTION USING CRITICAL WOLDED PRESS, INTEGRAL HANDLES, AND HIGH-STRENGTH MATERIALS. THIS MINIMIZES HANDLING DIFFICULTY AND FACILITATES EASY EMPTYING AND STORAGE WHILE AFFORDING LONG SERVICE LIFE.
5. ANCHOR BOLT(S) NOT PROVIDED BY VICTOR STANLEY, INC.
6. FOR HIGH SALT ABUSIVE CLIMATES, HOT DIP GALVANIZING BEFORE POWDER COATING IS AVAILABLE. SEE WRITTEN SPECIFICATIONS FOR DETAILS.
7. ALL SPECIFICATIONS ARE SUBJECT TO CHANGE. CONTACT MANUFACTURER FOR DETAILS.
8. THIS PRODUCT IS SHIPPED FULLY ASSEMBLED.

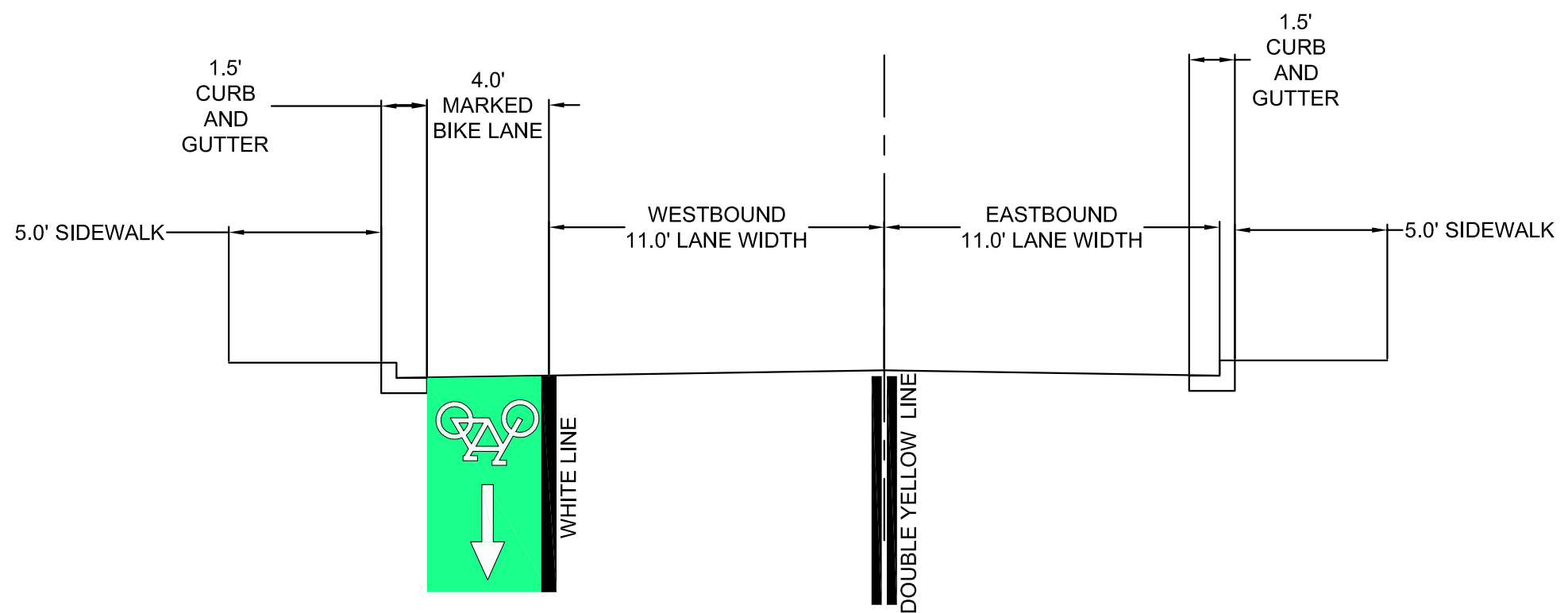


COPYRIGHT 2009 VICTOR STANLEY, INC. ALL RIGHTS RESERVED
REV. 7/25/09 DRAWN L,D,L, 2009-88

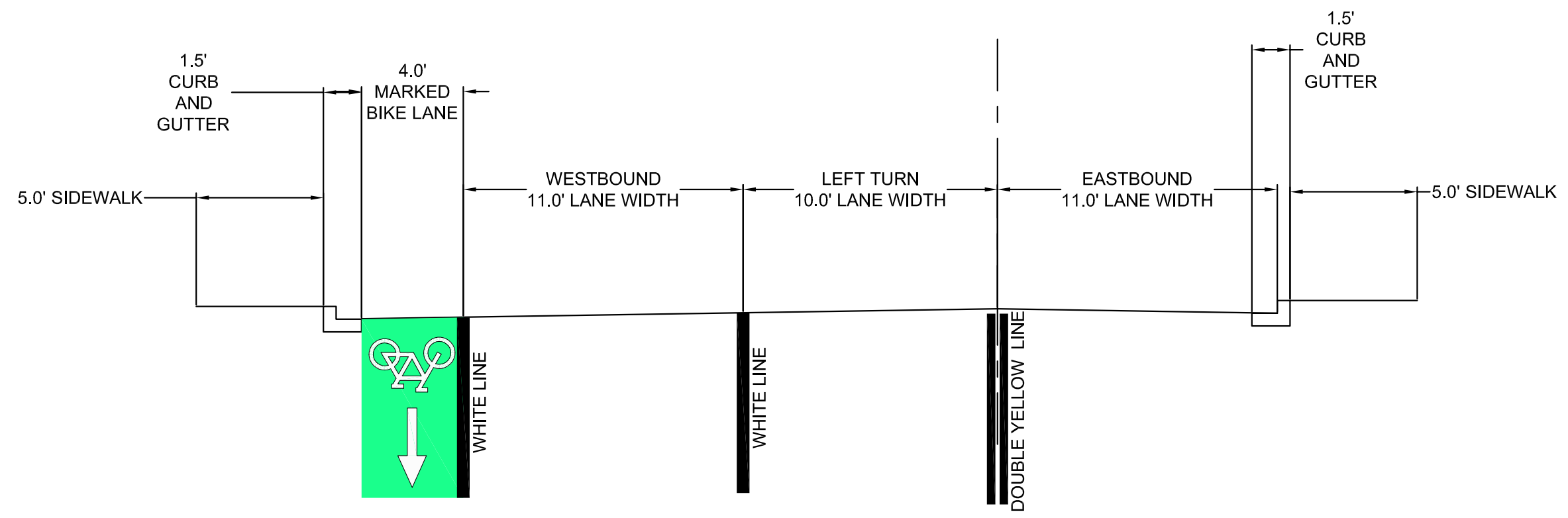


MODIFIED MOUNTABLE CURB

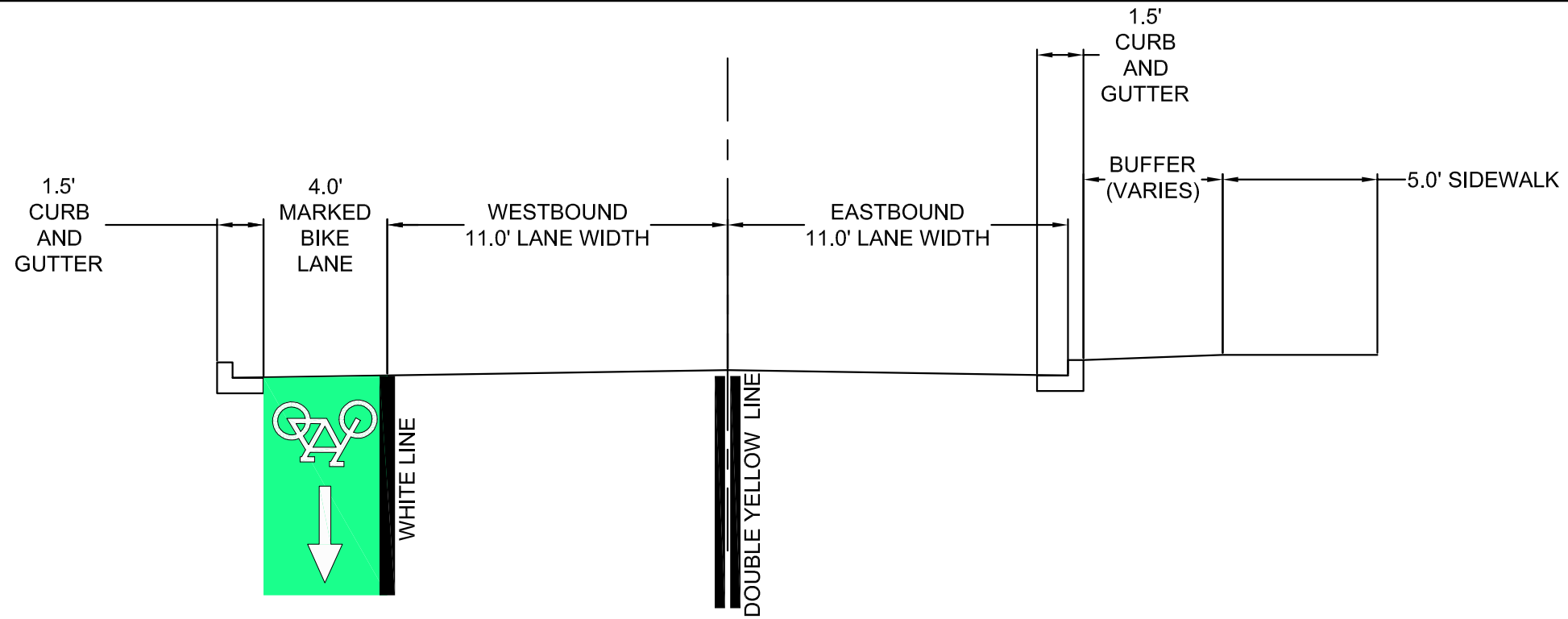
MOUNTABLE CURB
ISLAND DETAIL
SCALE: NOT TO SCALE



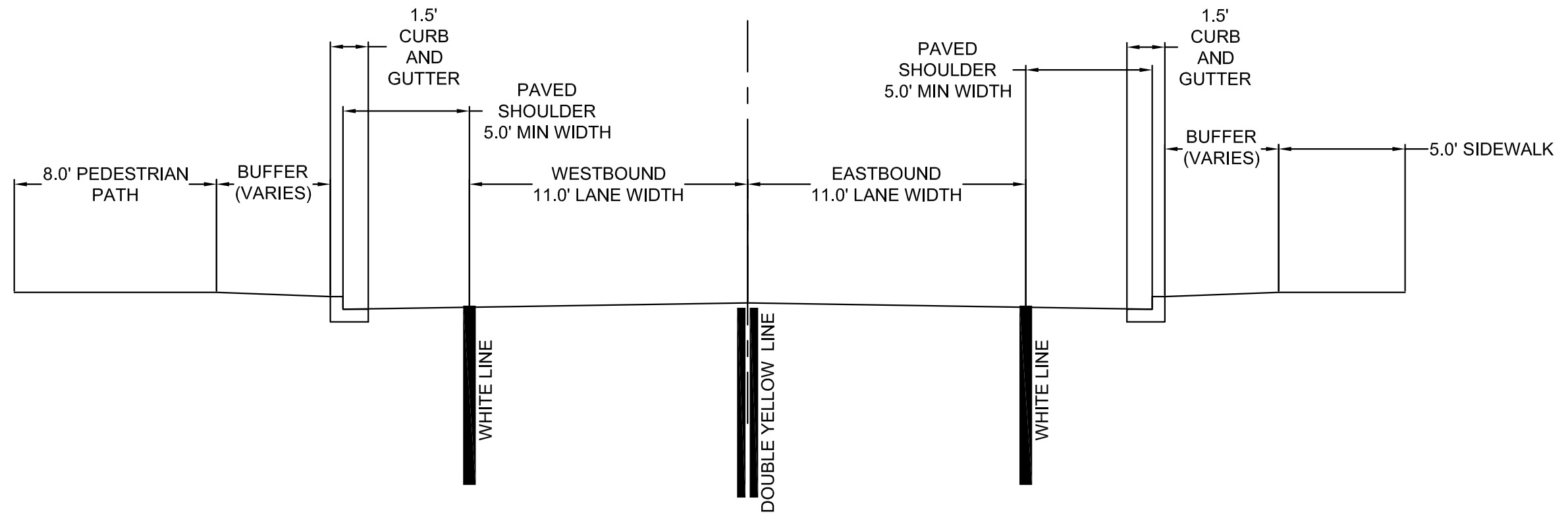
SECTION A-A



SECTION B-B

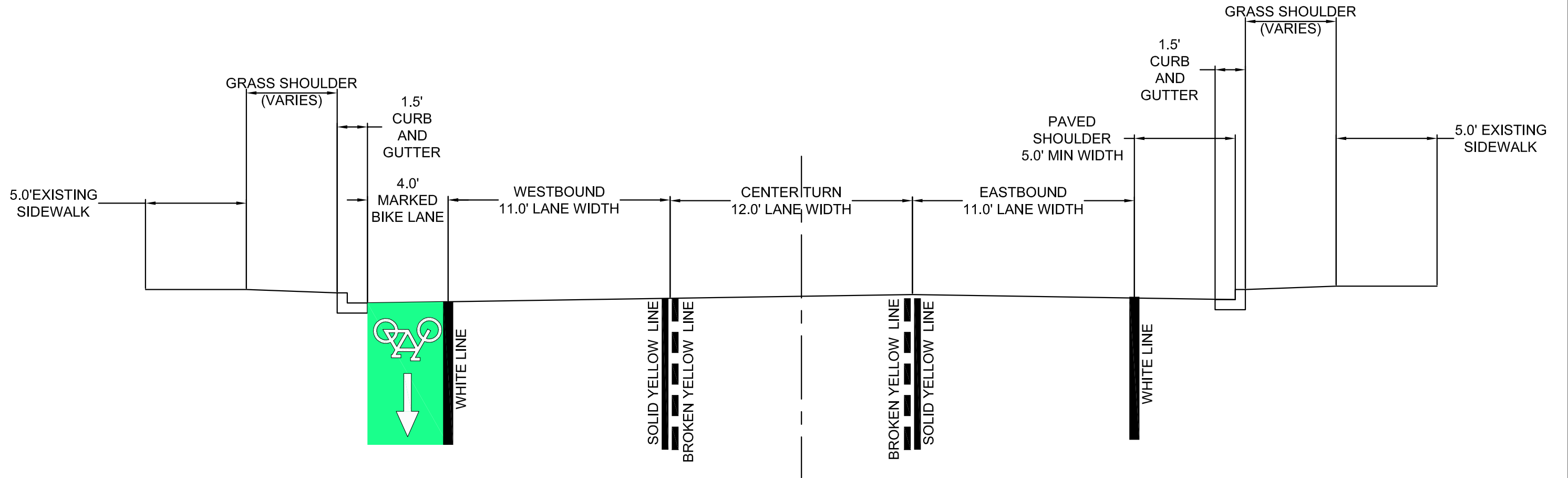


SECTION C-C

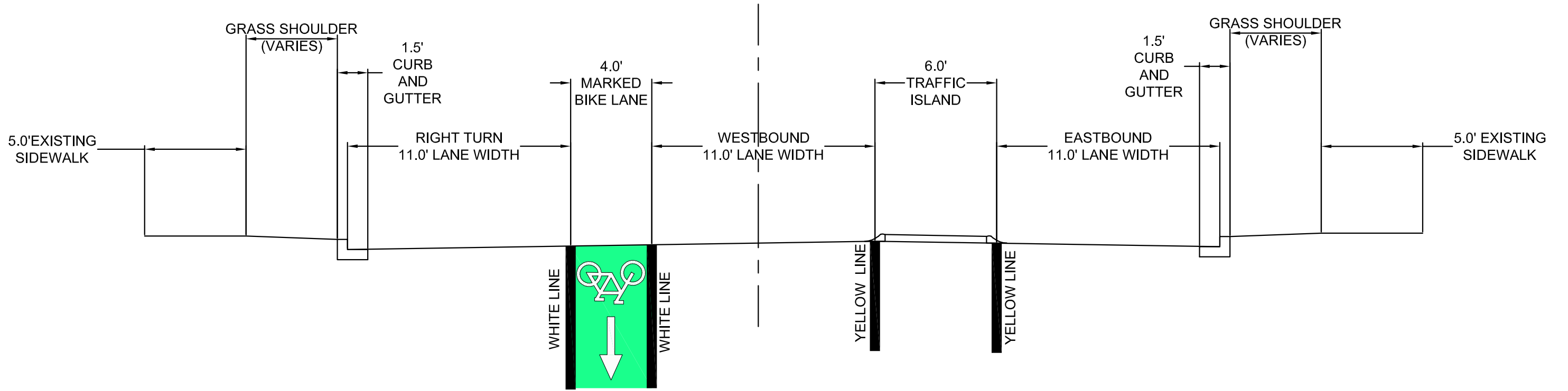


SECTION D-D

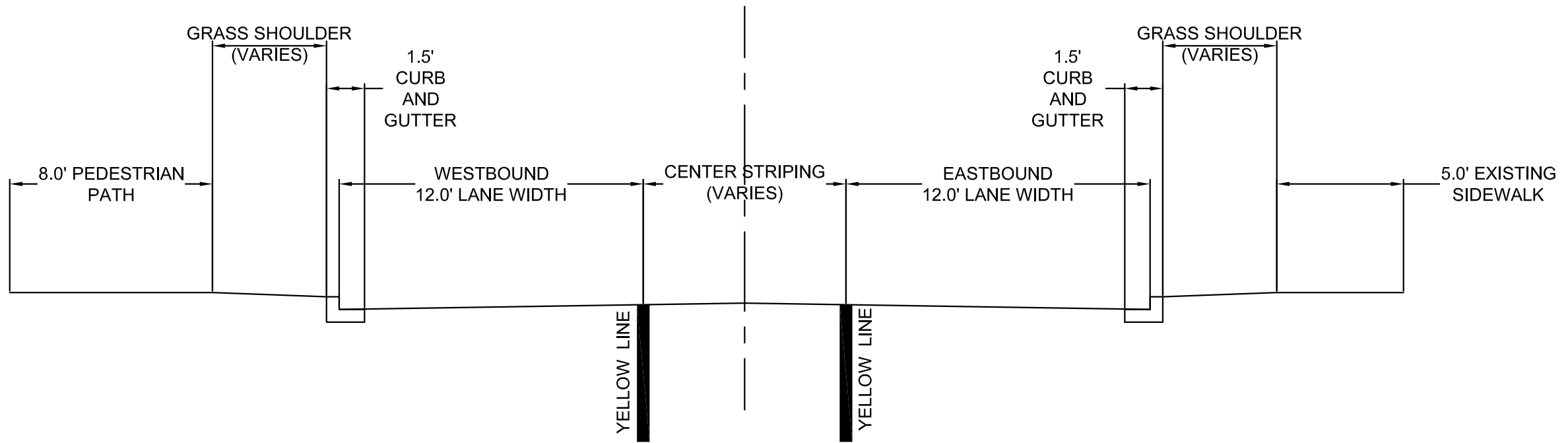
SHEET NO. 11 OF 13



SECTION E-E



SECTION F-F



SECTION G-G